

Weights

Operating weight with standard bucket, excluding operator	1176 kg
Ground pressure	29.70 kPa

Engine

Make / model	Kubota / D722-E2B-BCZ-6 (TIER2)
Fuel	Diesel
Number of cylinders	3
Displacement	0.72 L
Maximum NET power (ISO 9249)	7.4 kW
Maximum NET torque (ISO 9249)	39.1 Nm

Performance

Digging force, dipperstick (ISO 6015)	5550 N
Digging force, bucket (ISO 6015)	8294 N
Drawbar pull	9905 N
Travel speed (low range)	2.1 km/h
Travel speed (high range)	3.1 km/h

Hydraulic System

Pump type	Double gear pump
Pump capacity	10.00 L/min
Auxiliary flow	20.00 L/min
Auxiliary relief	184.0-192.0 bar
Relief pressure for implement circuit	184.0-192.0 bar

Slew System

Boom swing, left	70.0°
Boom swing, right	70.0°
Slew rate	9.0 RPM

Fluid Capacities

Cooling system	3.00 L
Engine lubrication plus oil filter	3.50 L
Fuel reservoir	16.00 L
Hydraulic reservoir	2.60 L
Hydraulic system	10.10 L

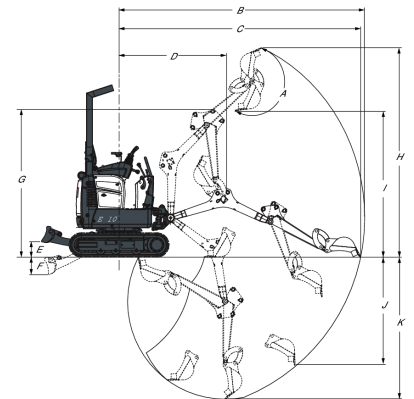
Environmental

Noise level LpA(EU Directive 2006/42/EC)	80 dB(A)
Noise level LWA(EU Directive 2000/14/EC)	93 dB(A)

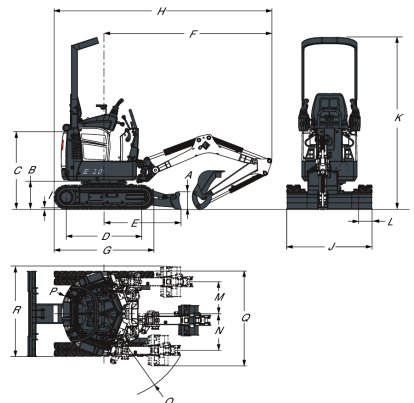
Standard Features

710 mm dozer blade / 1100 mm extended	Retractable seat belt
180 mm rubber track	Seat
Auxiliary hydraulics with Quick Couplers	Two-speed travel
Control console locks	TOPS canopy ¹
Horn	Vandalism protection
Electronically activated track expansion	Work lights
Hydraulically expandible undercarriage from 710 to 1100 mm	Warranty: 12 months, 2000 hours (whichever occurs first)

1. Tip Over Protective Structure (TOPS) – Meets requirements of ISO 12117

Working Range


(A)	196.0°	(G)	1899.0 mm
(B)	3145.0 mm	(H)	2685.0 mm
(C)	3093.0 mm	(I)	1818.0 mm
(D)	1374.0 mm	(J)	1383.0 mm
(E)	196.0 mm	(K)	1820.0 mm
(F)	230.0 mm		

Dimensions


(A)	220.0 mm	(J)	710.0 mm
(B)	363.0 mm	(J)	1100.0 mm
(C)	992.0 mm	(K)	2209.0 mm
(D)	968.0 mm	(L)	180.0 mm
(E)	987.0 mm	(M)	413.0 mm
(F)	2153.0 mm	(N)	471.0 mm
(G)	1280.0 mm	(O)	1121.0 mm
(H)	2793.0 mm	(P)	550.0 mm
(I)	16.0 mm		

Options

Auxiliary double action	Travel motion alarm
Beacon kit	Strobe
Demolition kit	Spark arrester muffler
Keyless start	