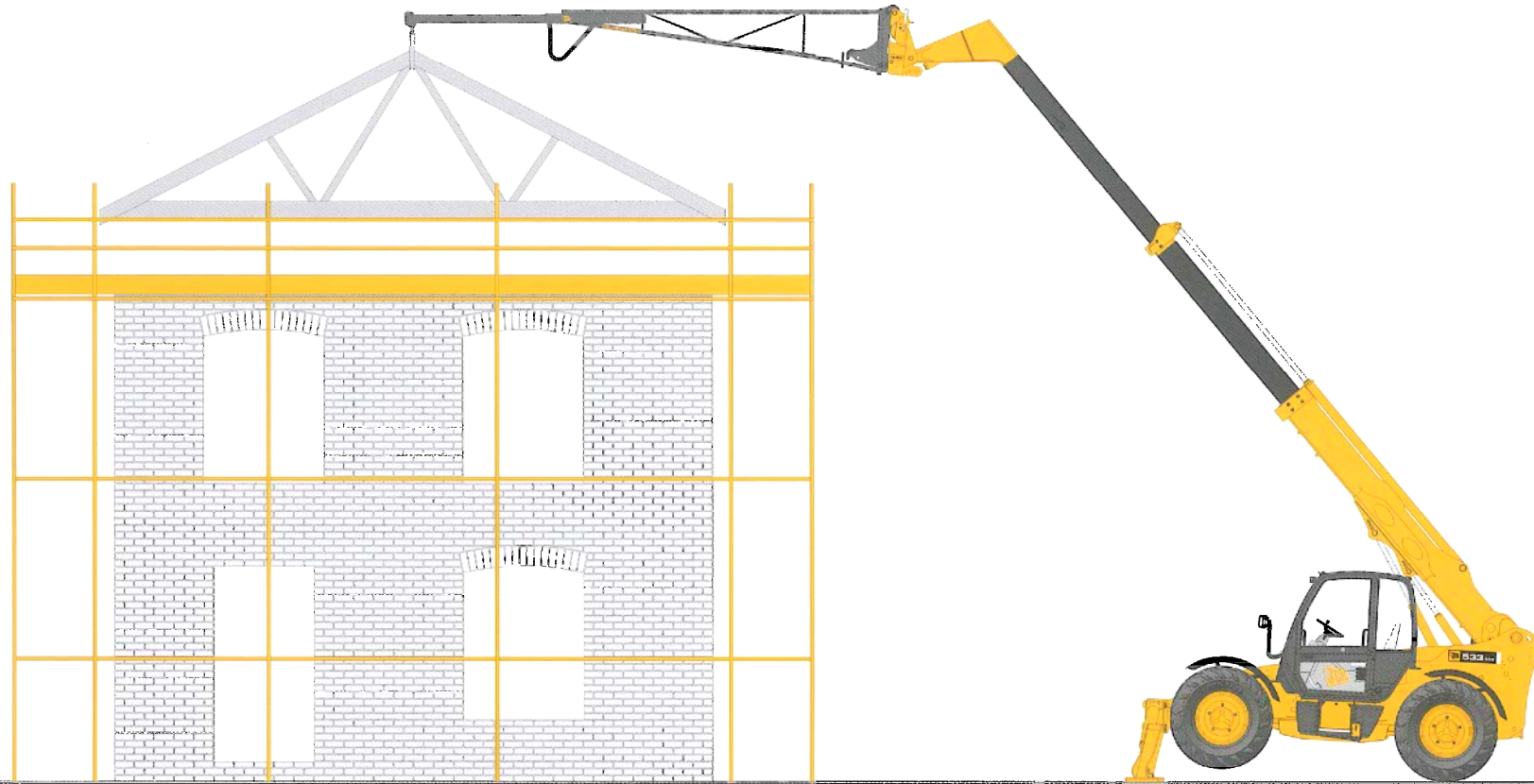


JCB ROOF TRUSS BOOM

ESPECIALLY DESIGNED FOR THE SAFE, LOW COST HANDLING OF ROOF TRUSSES WITH A JCB LOADALL TELESCOPIC HANDLER. CAN REPLACE MANUAL HANDLING, OR THE USE OF A CRANE.



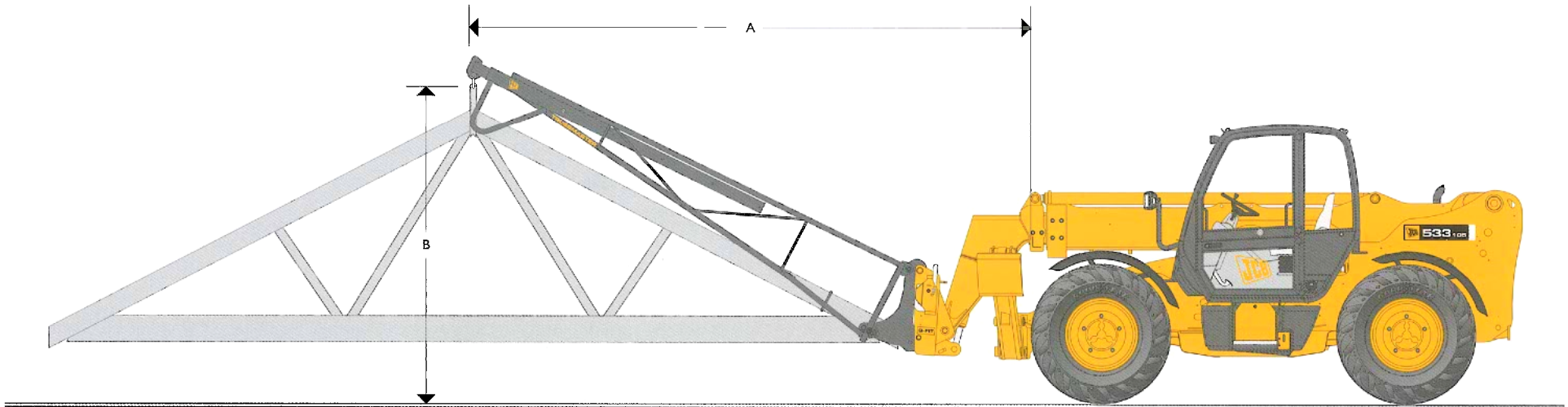
FAST FACTS

- Can be set to:
 - Transport mode so trusses can be carried with the boom as low as possible for maximum stability whilst on the move. Trusses can be carried singly, or in packs.
 - Placing mode to give maximum lift capability when lifting trusses with the machine static.
- 4-position extendable jib section allows the load capability to be adjusted according to the size and weight of trusses to be handled and the capability of the machine.
- In the transport mode, up to 300kg payload is available. For placing, maximum capability is from 150 to 300kg, depending on jib extension.
- A steady yoke within the base of the attachment stabilises the load as it is carried around site.

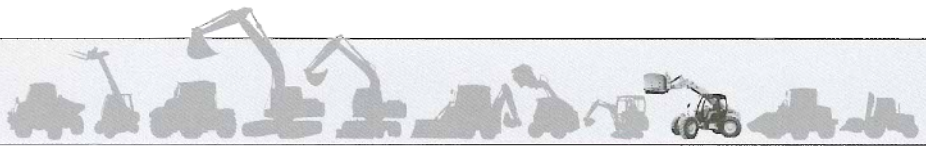


JCB ROOF TRUSS BOOM

TRANSPORT MODE (Stabilisers raised)

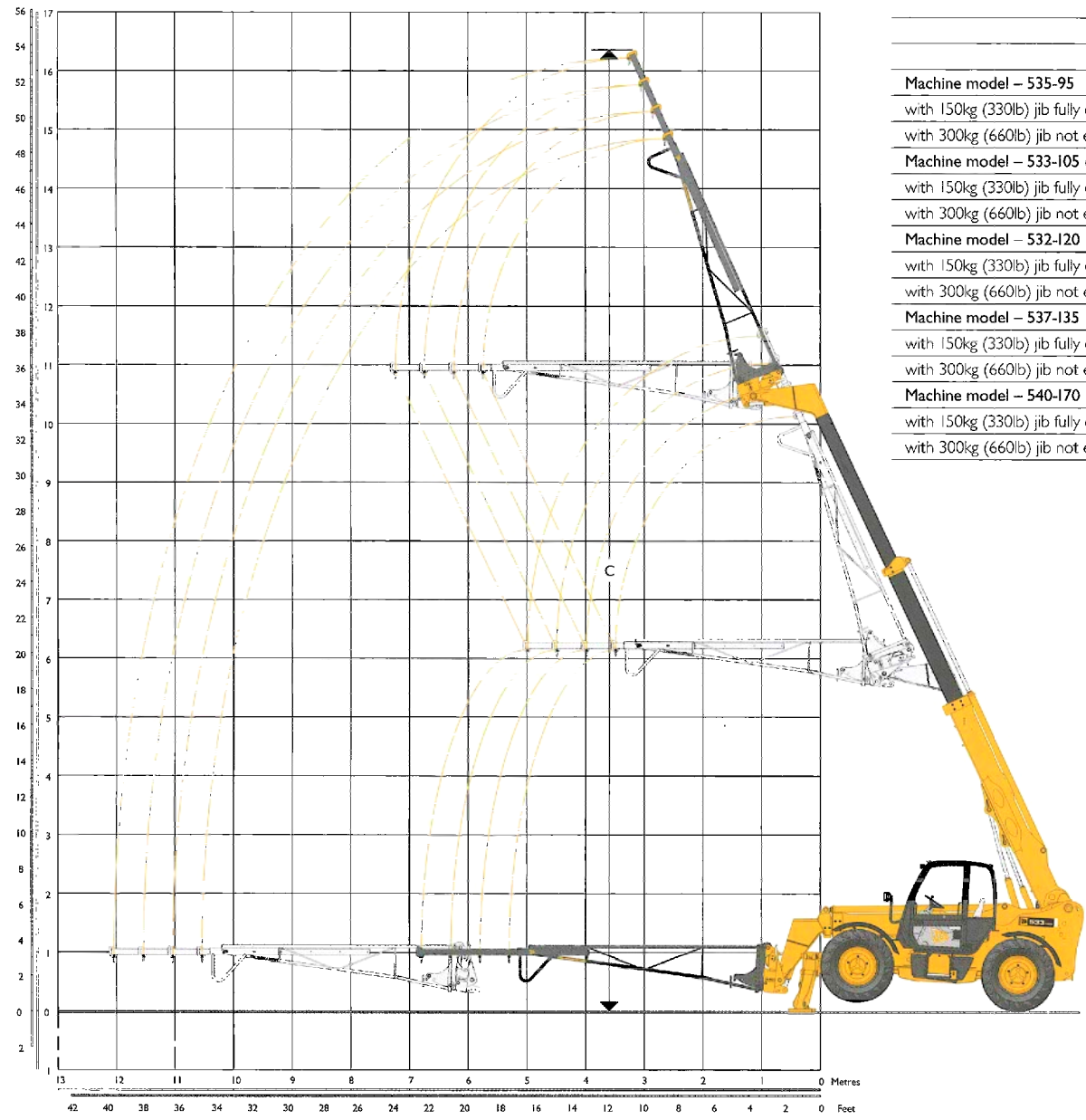


	Boom horizontal, jib fully raised		Boom and jib at 45 degrees	
	A. Reach m (ft-in)	B. Lift height m (ft-in)	Reach m (ft-in)	Lift height m (ft-in)
Machine model – 535-95				
with 150kg (330lb) jib fully extended	5.2 (17-0)	4.0 (13-1)	4.8 (15-9)	7.6 (24-11)
with 300kg (660lb) jib not extended	4.2 (13-9)	3.3 (10-10)	3.3 (10-10)	7.1 (23-4)
Machine model – 533-105 (illustrated)				
with 150kg (330lb) jib fully extended	5.7 (18-7)	4.6 (15-1)	5.9 (19-4)	7.0 (23-0)
with 300kg (660lb) jib not extended	4.5 (14-8)	3.7 (12-1)	4.5 (14-9)	6.4 (21-2)
Machine model – 532-120				
with 150kg (330lb) jib fully extended	5.7 (18-7)	4.6 (15-1)	6.0 (19-8)	7.0 (23-0)
with 300kg (660lb) jib not extended	4.5 (14-8)	3.7 (12-1)	4.5 (14-9)	6.4 (21-2)
Machine model – 537-135				
with 150kg (330lb) jib fully extended	5.6 (18-3)	4.6 (15-1)	6.0 (19-8)	7.2 (23-8)
with 300kg (660lb) jib not extended	4.37 (14-4)	3.7 (12-1)	4.5 (14-9)	6.5 (21-4)
Machine model – 540-170				
with 150kg (330lb) jib fully extended	5.7 (18-7)	4.6 (15-1)	6.4 (21-0)	7.2 (23-8)
with 300kg (660lb) jib not extended	4.5 (14-8)	3.7 (12-1)	5.0 (16-5)	6.5 (21-4)



JCB ROOF TRUSS BOOM

PLACING MODE (Stabilisers down)



PLACING MODE (Stabilisers down)

	Boom and jib at maximum elevation
	C. Max. lift height
	m (ft-in)
Machine model – 535-95	
with 150kg (330lb) jib fully extended	15.4 (50-4)
with 300kg (660lb) jib not extended	14.0 (45-11)
Machine model – 533-105 (illustrated)	
with 150kg (330lb) jib fully extended	16.2 (53-2)
with 300kg (660lb) jib not extended	14.8 (48-7)
Machine model – 532-120	
with 150kg (330lb) jib fully extended	18.3 (60-0)
with 300kg (660lb) jib not extended	16.9 (55-5)
Machine model – 537-135	
with 150kg (330lb) jib fully extended	19.4 (63-6)
with 300kg (660lb) jib not extended	18.0 (59-1)
Machine model – 540-170	
with 150kg (330lb) jib fully extended	22.8 (74-10)
with 300kg (660lb) jib not extended	21.4 (70-3)



A GLOBAL COMMITMENT TO QUALITY

JCB's total commitment to its products and customers has helped it grow from a one-man business into Britain's largest privately owned manufacturer of backhoe loaders, crawler excavators, wheeled excavators, telescopic handlers, wheeled loaders, dump trucks, rough terrain fork lifts, industrial fork lifts, mini/midi excavators, skid steer loaders and tractors.

By making constant and massive investments in the latest production technology, the JCB factories have become some of the most advanced in Europe.

By leading the field in innovative research and design, extensive testing and stringent quality control, JCB machines have become renowned all over the world for performance, value and reliability.

And with a global sales and service network of over 400 distributors and agents, the company exports over 70% of its production to all five continents.

Through setting the standards by which others are judged, JCB has become one of Britain's most impressive success stories.

